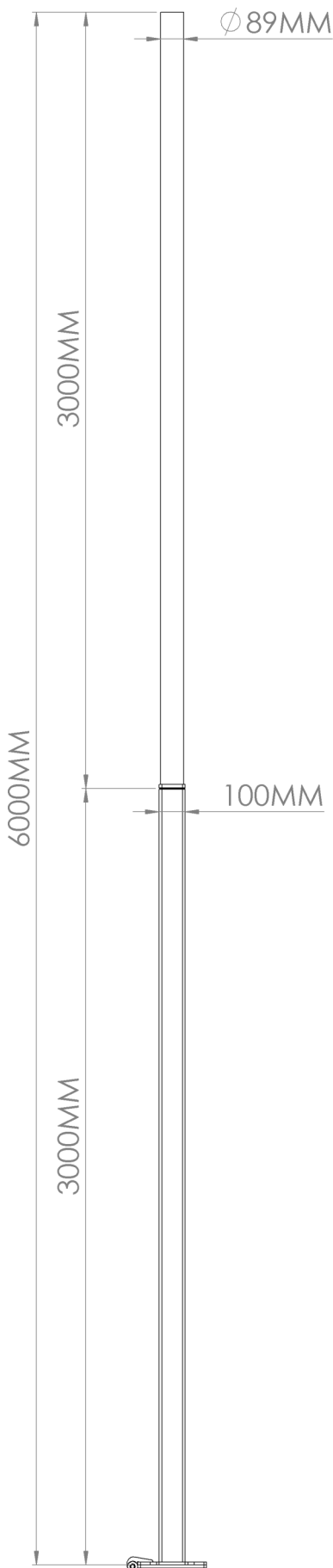


EZYtilt ET-HD-6.0M



Description

With its unique hinged base plate, the EZYtilt pole allows the user a risk free method of lowering and raising the pole by attaching the winch frame to the base plate and the clipping a shackle to the winch attachment point of the pole.

The winch frame is then removed once the pole is bolted down into position. The top load capacity of the Medium Duty pole is 25kg which is perfect for lighting applications. It even allows for cabling to enter down to the base through the upper section of the pole.

Specifications

Product code:	ET-HD-6.0M
Pole height:	6m
Pole height (Inc. adaptor):	N/A
Weight (Inc. base):	approx. 65.2kg
Pole top diameter:	89mm
Maximum load capacity:	40kg*
Overall shipping dimensions (L/W/H mm):	6000/310/305
Wind Region:	C

*Maximum load to be confirmed with engineering report from EZYpole

Persons required for installation



Installation time

15-30
minutes

250 P.C.D.