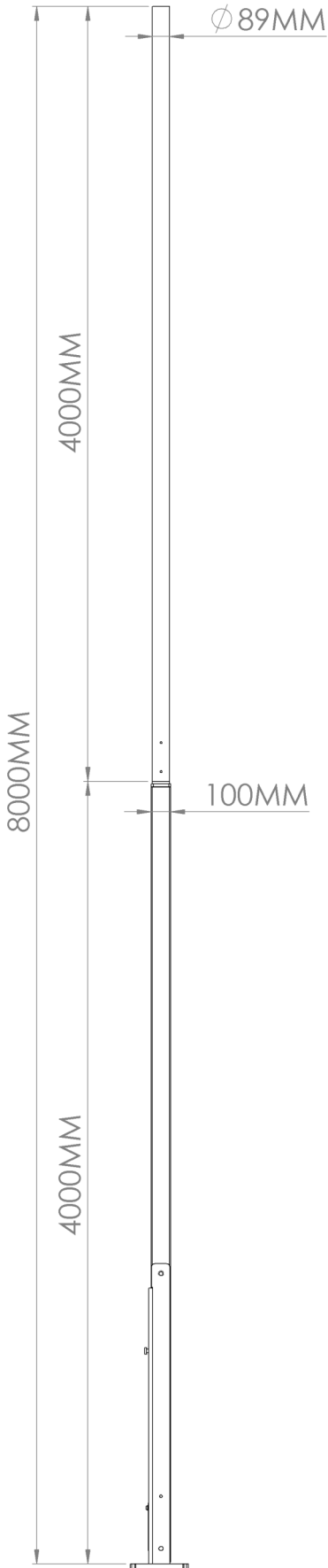


EZYwinch EW-HD2P-6.5M



Description


Manufactured in 2 sections to assist with transport and installation, the EZYwinch pole is our most widely used pole due to its versatility and ability to hold heavy loads up to 9.5 meters.

The pole is lowered and raised with the aid of a detachable winch frame that attaches to the lower section of the pole. The pole effortlessly and safely lowers to the ground and can be easily raised back up to its upright position.

Specifications

| | |
|---|-----------------|
| Product code: | EW-HD2P-6.5M |
| Pole height: | 6.54m |
| Pole height (Inc. adaptor): | N/A |
| Weight (Inc. base): | approx. 134.3kg |
| Pole top diameter: | 89mm |
| Maximum load capacity: | 70kg* |
| Overall shipping dimensions (L/W/H mm): | 4300/300/300 |
| Wind Region: | A, B |

*Maximum load to be confirmed with engineering report from EZYpole

| | |
|-----------------------------------|---|
| Persons required for installation |  |
| Installation time | 30-45 minutes |

