

Solar Panel Mounting System



Single Panel Side Mount

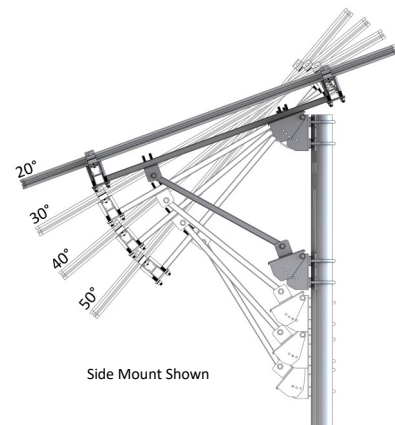
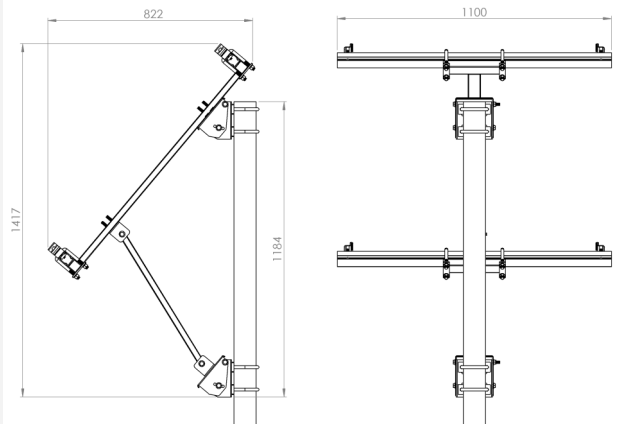
Created to be versatile, the EZYmount Solar Panel Bracket has been designed to be used with the majority of domestic and commercial solar panels. It is suitable for almost any environment as it can be tilted to ensure maximum solar panel performance. The EZYmount can be fitted to almost any pole with a 76 or 89mm diameter.



Single Panel
Top Mount

Specifications

Mounting Options	Top and Side mount
Features	Variable tilt angles from 20° to 50° Compatible with 65NB and 80NB poles Expandable Design
Security	TORX security bolts on End Clamps
Construction	Tilt Bracket/Swivel: 3mm Stainless Steel Solar Panel Frame: Steel (Galvanised) SPF Support Bar: Steel (Galvanised)
Sunlock	Solar Panel Mount, End Clamps
Maximum Panel Size	1800x1000mm (Single Panel)
Maximum Loading	25kg
Maximum Mount Height	9 m (1200mm length required at 50°)
Wind Region	A and B
Shipping Dimensions	300W) x 1200x(L) x 300(H)mm
Shipping Weight	14kg



Side Mount Shown